

# SBL

## 1300SE

高性能自動平盤軋盒機



**AUTOMATIC DIECUTTING AND  
CREASING PLATEN**

# SBL 1300SE

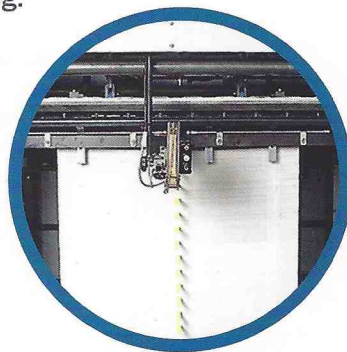
## 高性能自動平盤軋盒機

### 主要功能

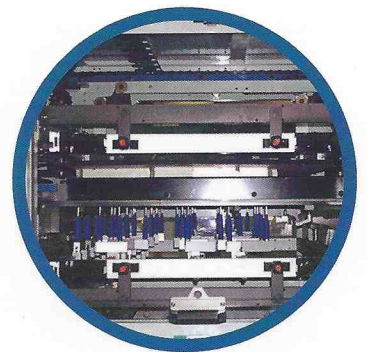
1. 獨創側規前後傾斜調整機構。
2. 送紙部入口特殊機構，紙張定位前減速機構確保紙張定位精準。
3. 集紙台微動調整機構，確保機台安全。
4. 特殊集紙桿拍打動作，使機械動作更柔和，紙張更整齊。
5. 採用氣動式模框鎖緊機構。
6. 採用循環油溫控制器，保持恆溫，確保軋紙壓力不變。
7. 螢幕顯示系統，提供運轉說明，異常排除指示功能。
8. 前定位、側定位液晶數字顯示調整。
9. 至B浪的廣泛範圍壓切能力。

### FEATURES

1. The side guide adjustment ensures a perfect 90° angle between side guide and front lays at all times.
2. The slow down device on feed table allows sheet to enter head stop at a greatly reduced speed to ensure excellent register when running light weight stock.
3. Micro-adjustment device at delivery unit ensures safety.
4. Special push down device at delivery ensures proper stacking of large size sheets.
5. Pneumatic chase locking system to eliminate loose mechanical parts.
6. Recycling oil temperature controller to maintain an even cutting pressure.
7. Control system with computerized self-diagnostic monitor system provides information of each section to facilitate operation and troubleshooting.
8. LCD digital indicates the correct front lay and side lay adjustment.
9. Wide range of stock from light paper to B-flute.

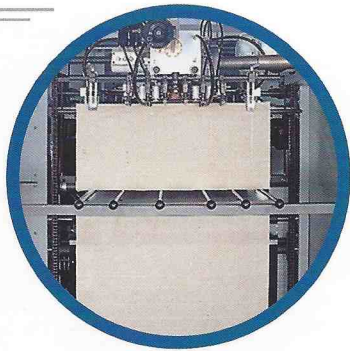


8. 收集部  
DELIVERY STATION



7. 除屑清廢機構  
STRIPPING DEVICE

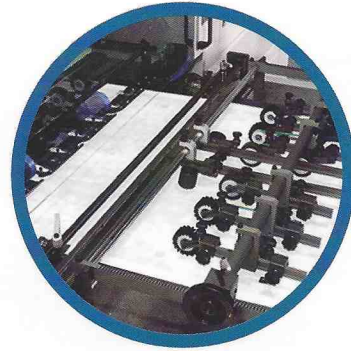




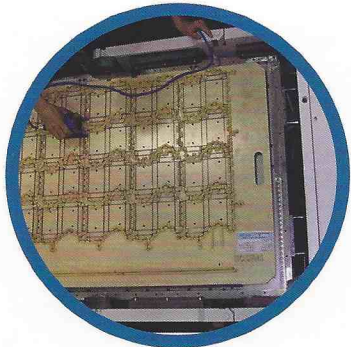
1. 給紙裝置  
FEEDER



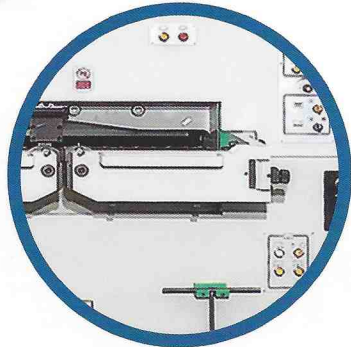
2. 觸控式螢幕  
TOUCH SCREEN MONITOR SYSTEM



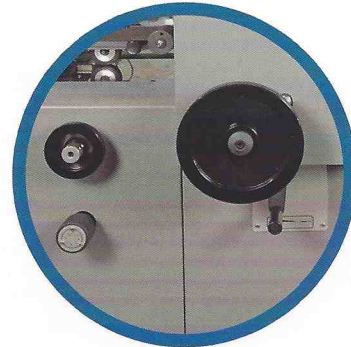
3. 輸送定位機構  
REGISTER DEVICE



6. 軋盒部  
DIE-CUTTING SECTION

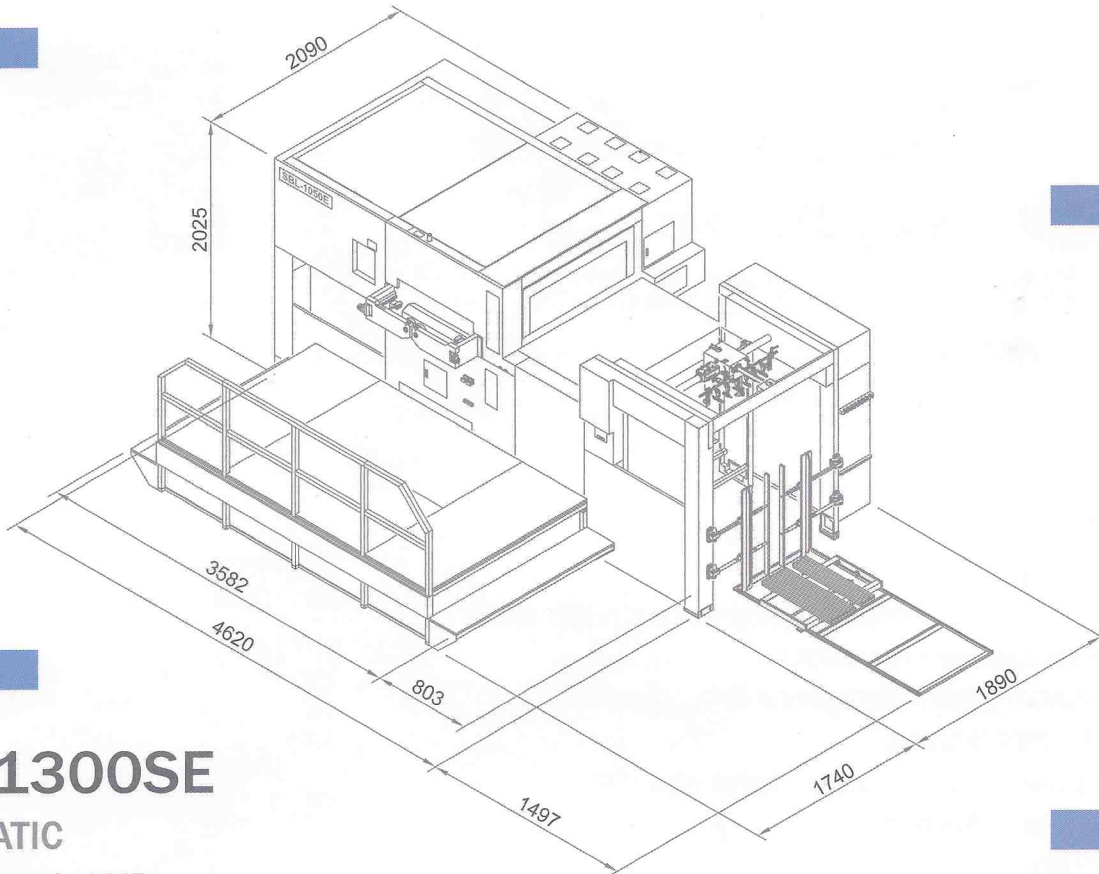


5. 氣動模扳鎖緊及自動昇退壓  
PNEUMATIC CHASE LOCKING &  
AUTOMATIC IMPRESSION ON/OFF SYSTEM



4. 飛達部減速設備  
SHEET SLOW DOWN DEVICE

## AUTOMATIC DIECUTTING AND CREASING PLATEN



## SBL-1300SE

AUTOMATIC  
DIECUTTING AND  
CREASING PLATEN

### 軋切規格 Die-Cutting Specifications

最大用紙尺寸 Max. Sheet Size	1300 x 950 mm
最小用紙尺寸 Min. Sheet Size	600 x 450 mm
最大軋切尺寸 Max. Cutting Size	1290 x 940 mm
軋紙壓力 Max. Cutting Pressure	500 Tons
用紙厚度 Stock Range	0.1 - 2 mm
最小抓紙寬度 Min. Gripper Margin	9.5 mm
夾框尺寸 Inner Chase Size	1420 x 958 mm
底板尺寸 Face Plate Size	1328 x 940 mm
最高打拔速度 Max. Cutting speed	6000 S/H
變速主要馬達電力 Power of Main Motor	15 kw
機械全長 Machine Length	8088 mm
機械全寬 Machine Width	4482 mm
機械全高 Machine High	2244 mm
機械重量 Total Weight (Approx.)	20 Tons

由於設計上的需要，有時會更改規格或尺寸，恕不另行通知。  
Specifications are subject to change without notice for improvement.

財順機械工業股份有限公司  
順盈機械股份有限公司  
TSAIR SHUENN MACHINERY INDUSTRY CO., LTD.  
SBL MACHINERY CO., LTD.

公司：新北市樹林區柑園街一段108號  
No. 108, Sec. 1, Ganyuan St., Shulin Dist.,  
New Taipei City 23880, Taiwan.  
Tel: +886-2-2680-2199 Fax: +886-2-2680-2197  
<http://www.sblmachinery.com>  
E-mail: [info@sblmachinery.com](mailto:info@sblmachinery.com)

鑫財順機械(深圳)有限公司  
STS MACHINERY (SHEN ZHEN) CO., LTD.

公司：廣東省深圳市寶安區松崗街道東方大田洋工業區(三區)1棟  
1 (Third District), Datianyang Industrial Estate, SongGang street,  
Baoan town ShenZhen City, China.  
郵編：518105 Zip Code:518105  
Tel: 86-755-33860588 Fax: 86-755-33860598  
<http://www.stsmachinery.com>  
E-mail: [sts@stsmachinery.com](mailto:sts@stsmachinery.com)

UK Branch  
SBL MACHINERY UK LTD.

Unit 5A Foxway Trinity Business Park.Wakefield West Yorkshire.  
WF2 8EE England.  
Tel: (44)01924385134 Fax: (44)01924385136  
<http://www.sblmachinery.co.uk>  
E-mail: [info@sblmachinery.co.uk](mailto:info@sblmachinery.co.uk)

**MATCH  
MACHINERY, INC.**



1152 Tourmaline Drive  
Newbury Park, CA 91320  
Office: (805) 480-3300  
[sales@matchmachinery.com](mailto:sales@matchmachinery.com)

[www.matchmachinery.com](http://www.matchmachinery.com)